

WaterWaves

Aqua stop, Water Leak Blocker with Auto Shut Off Valve



Features :

- ✓ Auto shut off water when water leak is detected
- ✓ 9V alkaline battery operated
- ✓ Auto shut off when low battery power
- ✓ Easy installation
- ✓ Protection for water filter, water softener, aquariums

1.0 Specification:

Operating voltage : 9V DC

Supply current : typical 1.0 mA, maximum 15.0 mA.

Cable length : 1.5 M for solenoid valve cord

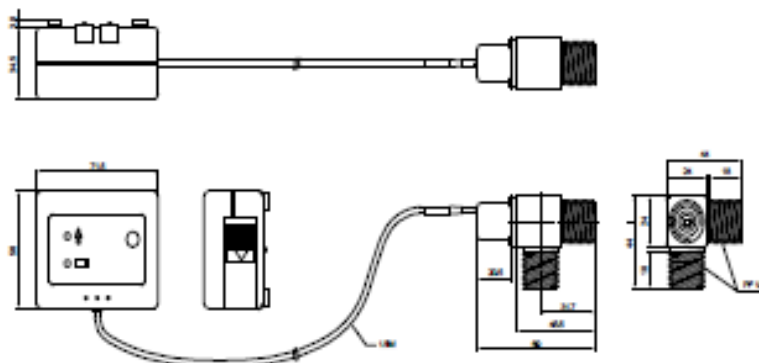
Connecting : 1/2" BSP male (adaptors for 1/4 filter tube)

Water leak detecting method : Control unit with detecting metal put on the floor near water filter

Environment temperature : -20 ~ 80°C

Maximum Pressure : 6 Bar

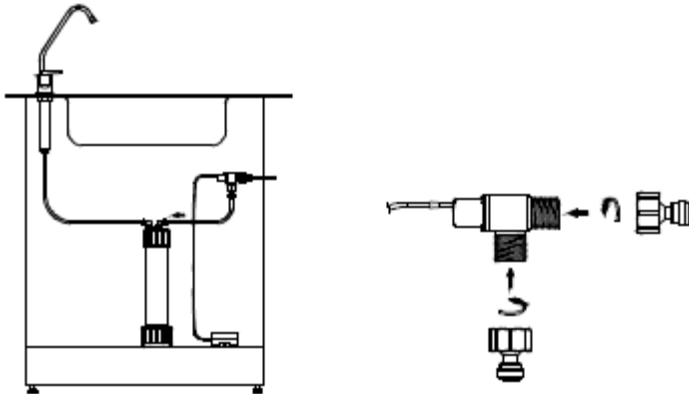
Mechanism :



2.0 Operating instruction

2.1 Installation:

Install the proper fitting with the solenoid valve. The thread of solenoid valve is 1/2" BSP male. Then connect the inlet tube of the water treatment system with the solenoid valve.



2.2 Operation

2.2.1 Reset to work Keep pressing button for 4 seconds, the control unit activates solenoid valve to open the inlet tube of water treatment system, and generates a long beep sound.

2.2.2 Auto shut off when water leak is detected
The control unit shuts activate solenoid valve to shut off the inlet tube of the water treatment system to block water flow, and generates an acoustic signal, "beep-beep", and blinks the blue light continuously to notify the water leak is detected. After the leakage problem is solved, keep pressing button for 4 seconds, the control unit activates solenoid valve to open the inlet tube of water treatment system again with a long beep sound.

2.2.3 Low power shut off When the battery power is low, the control unit shuts off the inlet tube of the water treatment system, blinks red light and generates an acoustic signal "beep" to notify that the battery needs to be replaced to keep water leak protection be functional.