

Savant DigiFlow 6000R, Digital Multi Filter Monitor Flow Totalizer

SAVANT ELECTRONICS INC.

188-2, Sec. 2, Chang Ping Road, Taichung, Taiwan

Tel : 886 4 2421 3758 Fax : 886 4 2421 3710

Email : savantco@ms65.hinet.net

Website : www.homewaterfilter.com.tw

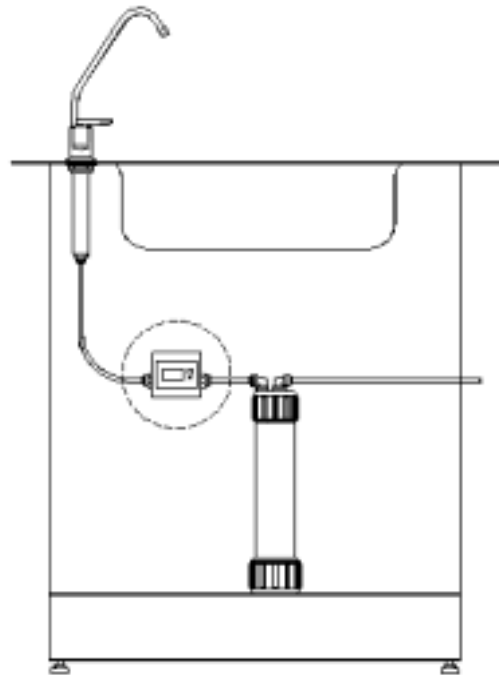
Features :

- Up to 5 filter capacity life monitor, up to 99500 liters or 19900 gallons
- End of filter life alert
- Battery operated, 2 AAA batteries
- Low battery power alert
- Automatic data memorized when battery power is off



Application :

- ✓ Under sink water treatment system
- ✓ Counter top water treatment system
- ✓ Commercial water treatment system
- ✓ Water dispenser

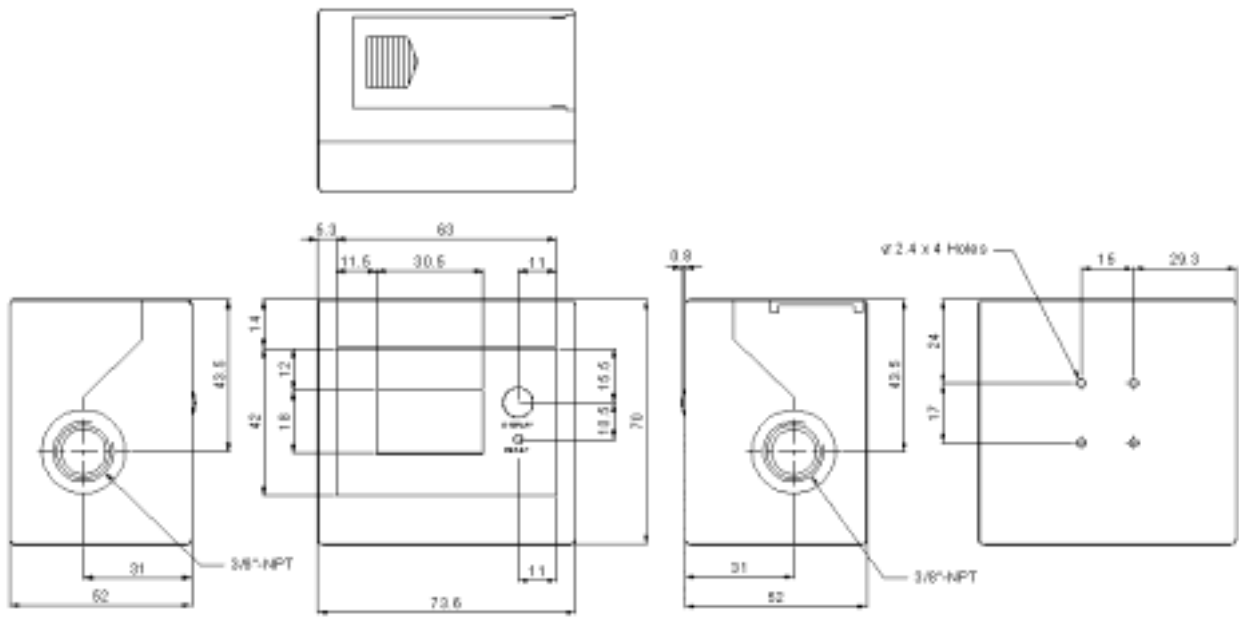


1.0 Electrical :

Operating Voltage : 3 DC Volts

Operating Current : 1.0 mA (work), 0.015 mA (sleep)

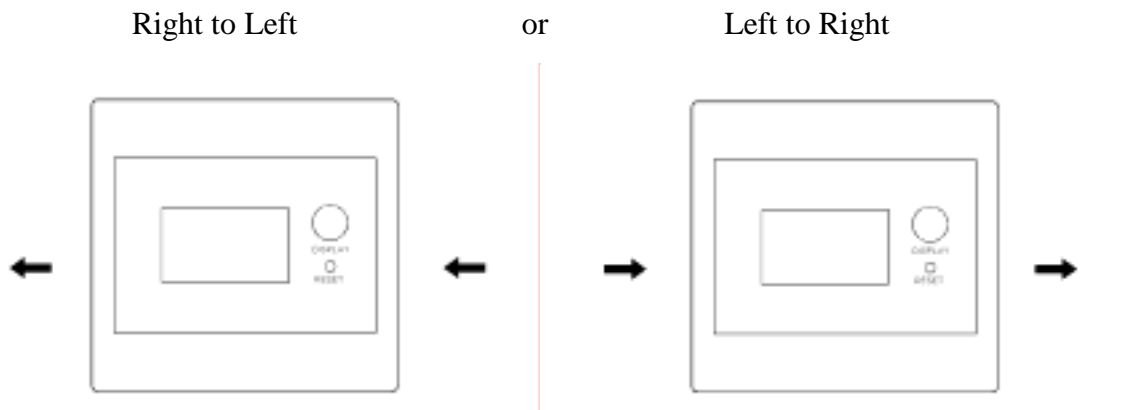
2.0 Mechanic :



3.0 Application :

Mounting Method : Back Mount

Flowing Direction : Bi-Direction



Flow Rate : Max. 4.10 gpm, 15.10 lpm

Min. 0.45 gpm, 1.70 lpm

4.0 General :

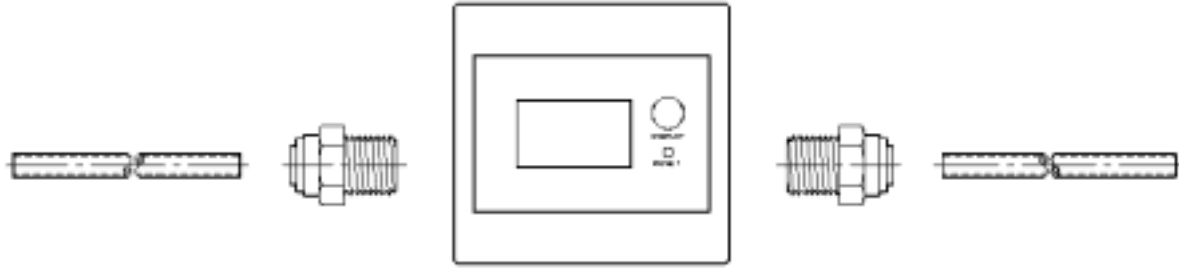
Temperature : 0 to 80 (32 to 176)

Pressure : Max. 5.5 bar (80 psi)

Weight : 140 g (5.38 oz)

Accuracy : +/- 5%

Connection : 3/8 inch NPT Female



Materials : Sensor Body : Acetal Copolymer, TICONA M90
 Turbine : Acetal Copolymer, TICONA M90
 Stick of Turbine : #304 Stainless Steel
 O-Ring : EPDM Rubber
 Housing : ABS resin

5.0 Operation Guide

5.1 Install Batteries

Slide off the cover case of the battery room, and put into 2 AAA batteries. Then slide the cover case back.

5.2 Connecting Fitting

The specification of the DigiFlow 6000R connectors is 3/8" MNPT female. You could use any 3/8" MNPT male connectors.

5.3 Setting Filter Capacity

Keep pressing DISPLAY button, then press RESET button and release both of the buttons. The DigiFlow 6000R will go into setting procedure. The digit will blink "FLT 1" four times, then blink " OFF" to notice you that the setting procedure is on. Press DISPLAY button to choose the capacity value. The sequence is OFF - 0 - 100 - 200 - 300 19800 - 19900 - OFF - 0 - 100 (gallon model) and OFF - 0 - 500 - 1000 --- 99500 - OFF - 0 - 500 (Liter model). Then press RESET button to save the filter capacity value.

* If the setting value is "OFF", the monitor function of the dedicated filter will be disable.

5.4 Operating

The DigiFlow 6000R will be automatically turn on when there is water flowing through the sensor. It will automatically turn off in 10 seconds when there is no water flowing. The DigiFlow 6000R display the total flowing volume.

5.5 Check Filter Remaining Capacity

Press DISPLAY button will display the remaining capacity of each filter. The DigiFlow 6000R will blink the dedicated filter twice, then blink the remaining capacity twice. For example, “FLT 1”, then “ 988 ltr”, then “ FLT 2” After display all remaining capacity of each filter, the DigiFlow 6000R goes back to display the total flowing volume.

5.6 End o Life Alert

When there is any filter remaining capacity reaches 0 gallon (liter), the buzzer will beep twice and the DigiFlow 6000R will blink the dedicated filter, for example, like “ FLT 2” to notice user that the 2nd filter cartridge is in its end of life, and out of function. In the alert status, user press DISPLAY button is not able to check the remaining capacity of each filter, but to display the total flowing volume.

After change the dedicated filter cartridge, press RESET button. The remaining capacity of the dedicated filter cartridge be reset to the original setting value. And the alert status is released.

For example, if user set the capacity of the “FLT 1” and “FLT 2” as 500 gallons and 1000 gallons. When the total flowing volume reaches 500 gallons, the DigiFlow 6000R will go into alert status, and blink “ FLT 1” when there is water flowing through. However the DigiFlow 6000R will keep calculate the total flowing volume and monitor the other filter. When user change the 1st filter cartridge and press RESET button at the total flowing volume 520 gallons. The end of life alert of the 1st filter cartridge will be at 1020 gallons (520 + 500 gallons).

5.7 Low Battery Power Alert

When the battery power lower than normal working level, the buzzer will beep twice to notice and the battery symbol on the screen will blink to notice user to change the battery. Once the batteries are replaced, the alert will be released. The data will be kept in memory and stored back when user replace the batteries.